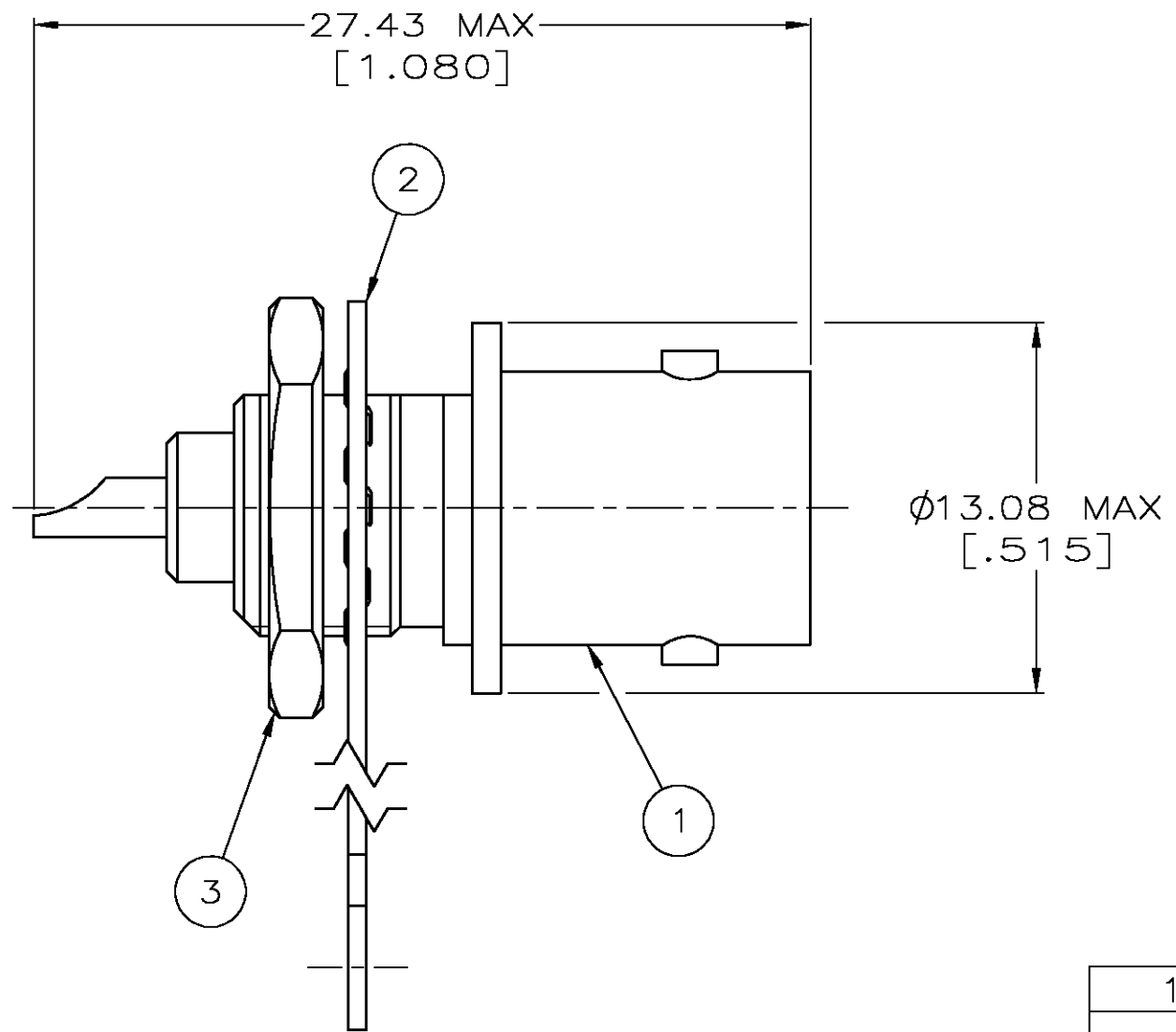
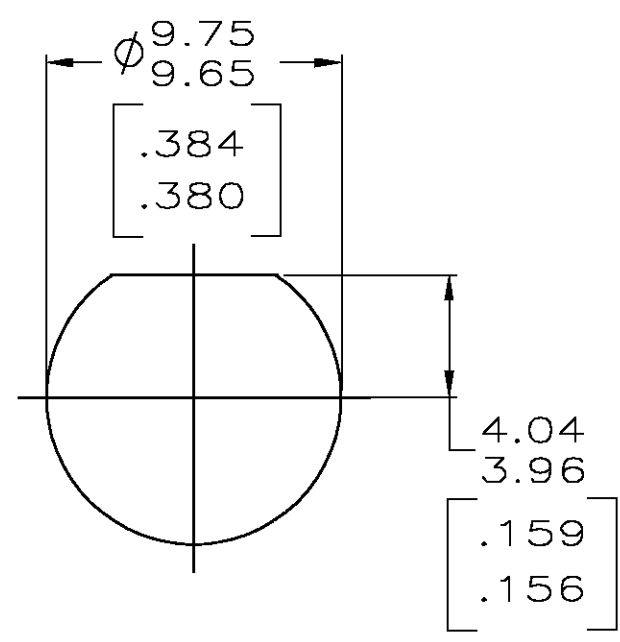


THIS DRAWING IS UNPUBLISHED. RELEASED FOR PUBLICATION
 © COPYRIGHT BY TYCO ELECTRONICS CORPORATION. ALL RIGHTS RESERVED.

LOC	DIST	REVISIONS					
AJ	16	P	LTR	DESCRIPTION	DATE	DWN	APVD
			E	EC PER 0S14-0192-04	11NOV2004	JGH	JL



1. SEE I.S. 9086



RECOMMENDED PANEL CUTOUT

1-330249-1	9-227260-0	221245-1	221244-1
3 JAM NUT QTY=1	2 LOCKWASHER, TERMINAL QTY=1	1 JACK ASSY QTY=1	PART NUMBER

THIS DRAWING IS A CONTROLLED DOCUMENT.		DWN K. TOBIAS 1-8-93	Tyco Electronics Corporation Harrisburg, PA 17105-3608	
DIMENSIONS: INCHES	TOLERANCES UNLESS OTHERWISE SPECIFIED:	CHK J. LIPPERT 2-2-93	NAME SOLDER, JACK 75 OHM, SERIES BNC	
	0 PLC ± -	APVD A. GABANY 2-2-93	PRODUCT SPEC 108-12079	
	1 PLC ± -		APPLICATION SPEC	
	2 PLC ± -		SIZE	CAGE CODE
	3 PLC ± -		A3	00779
	4 PLC ± -		DRAWING NO C=221244	
	ANGLES ± -		RESTRICTED TO	
MATERIAL	FINISH	WEIGHT	-	
-	-	-	CUSTOMER DRAWING	
			SCALE	4:1
			SHEET	1 OF 1
			REV	E